

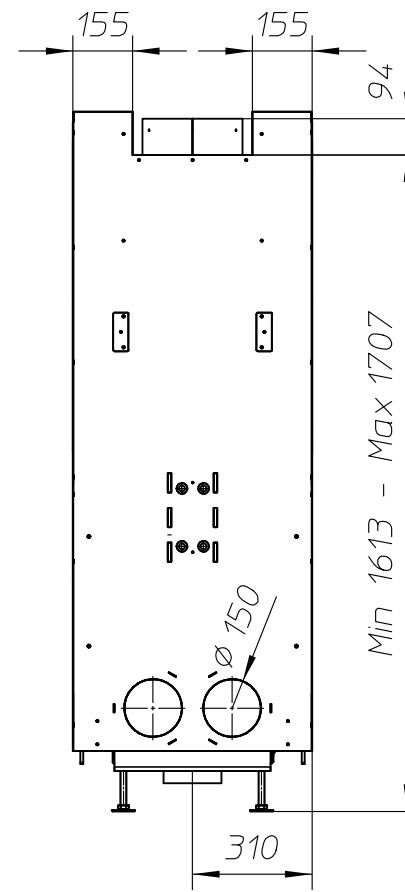
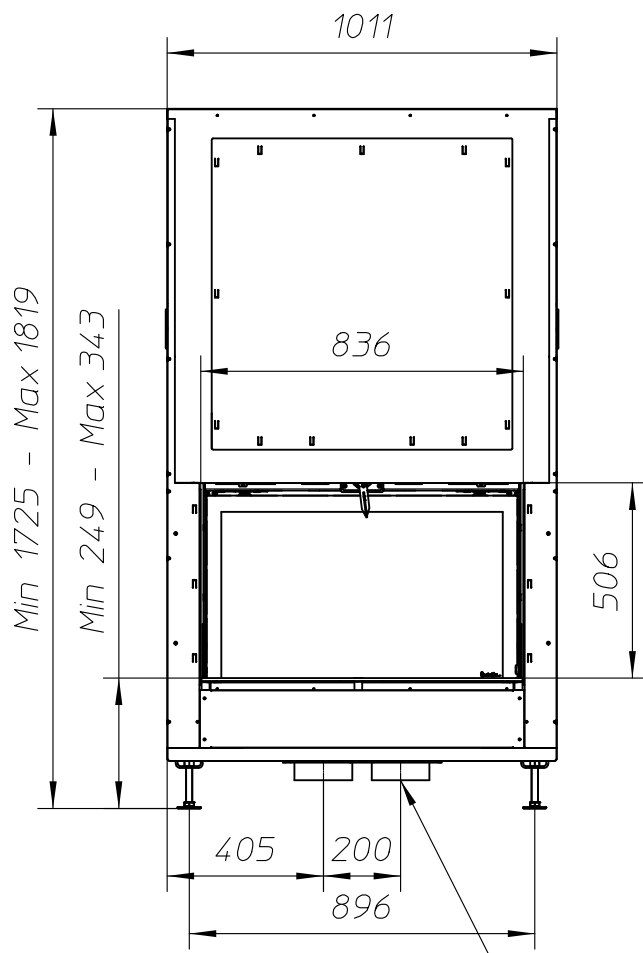
ULTIME D MF 800-50 WHE T

Dimensions (mm)

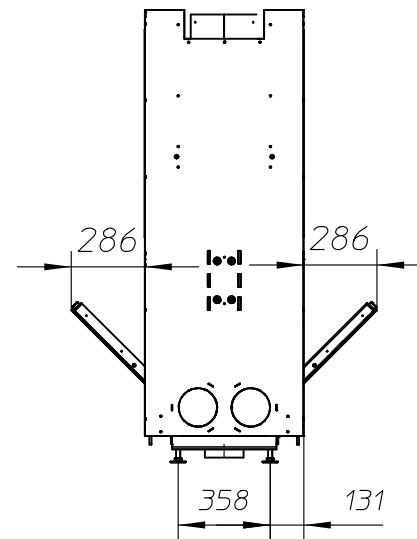
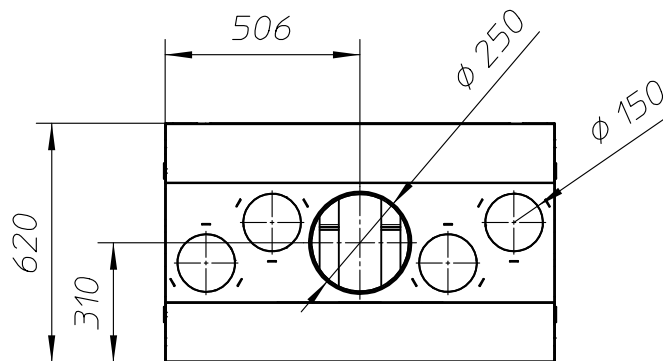
- combustion opening WxH: 836 x 756
- external WxDxH: 1011 x 620 x 1819
- fresh air intake: 2 x Ø150
- flue gas outlet: Ø250

Technical Data

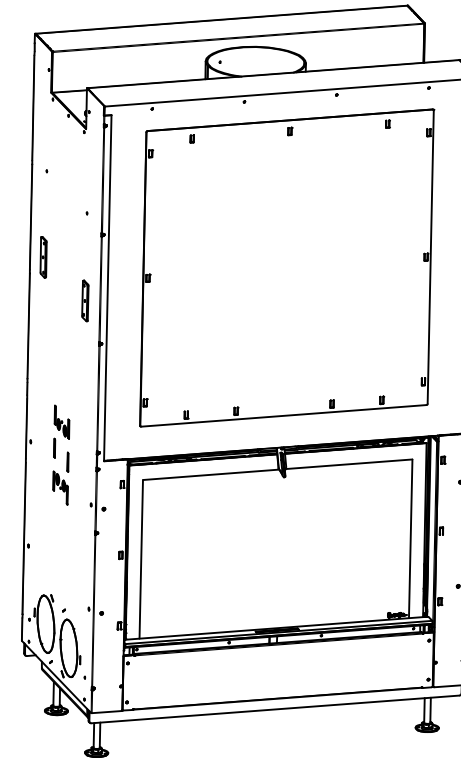
- ecolabel: A+
- capacity: 18.2kW
- efficiency: 82.3%
- CO (volume with 13%O₂): 0.08%
- dust (volume with 13%O₂): 26mg/Nm³
- weight: 350kg
- convection air inlet: min.700cm² (4 x Ø150)
- convection air outlet: min.700cm² (4 x Ø150)



Fresh air inlet (2x Ø150)



Scale 1:30



First aid and technical support:

- support@metalfire.eu
- +32 9 261 51 90

scale 1:20

www.metalfire.eu

EN 13229

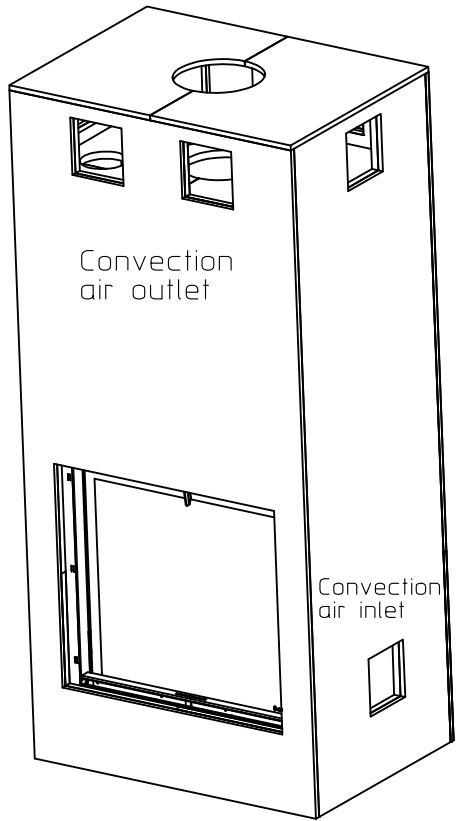
General dimensional tolerances up to 6mm
Metalfire preserves the right to modify specifications without previous notice

Rev.
A

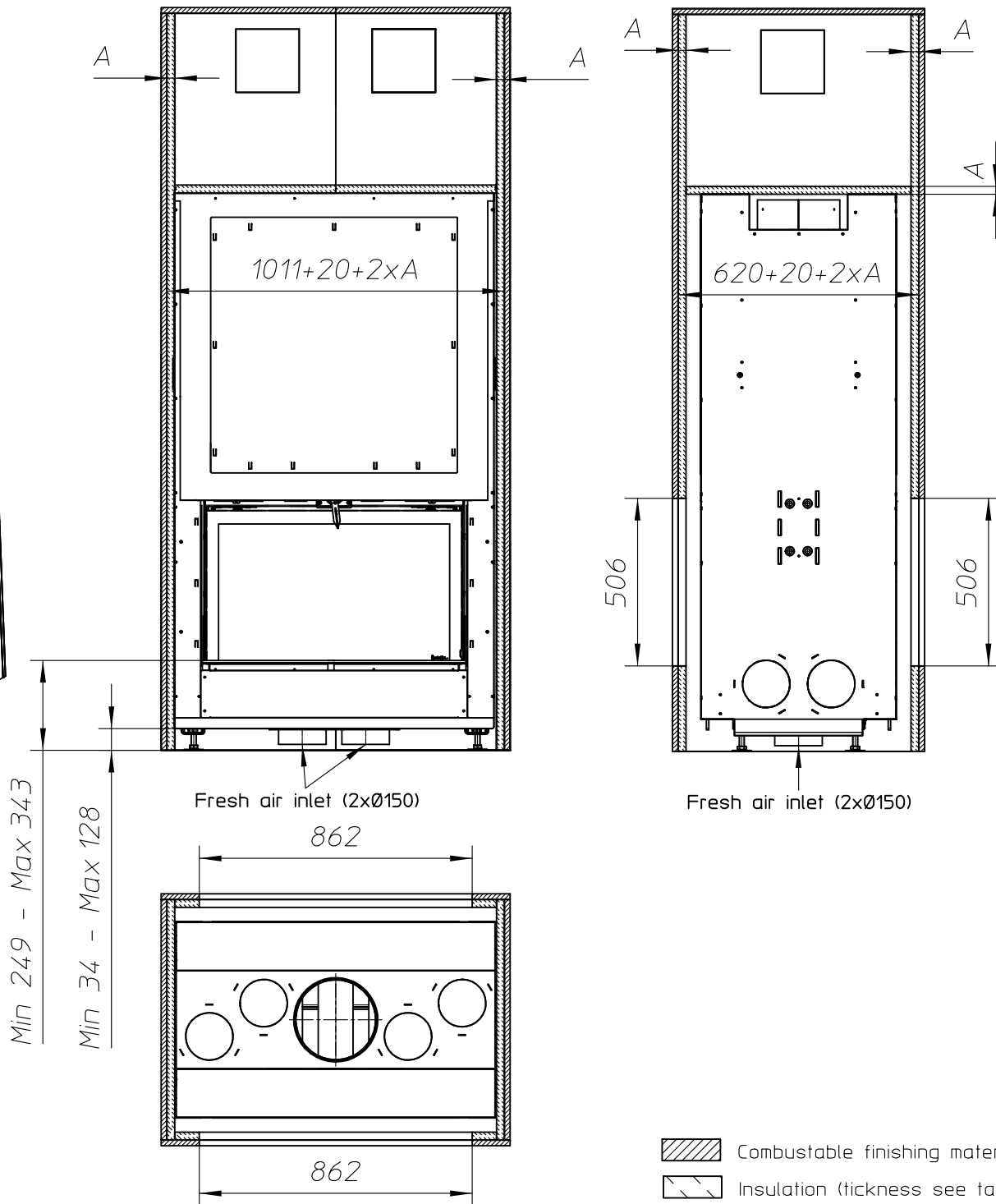
CE

Sheet
1/3

Without finishing frame



Scale 1:25




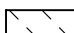
Min 249 - Max 343

Min 34 - Max 128

Fresh air inlet (2xØ150)

862

862

-  Combustable finishing material
-  Insulation (thickness see table)

ULTIME D Patented

Metalfire

Technical Document

ULTIME D MF 800-50 WHE T

Prescribed insulation thickness (mm)

Combustable finishing material

Metalfire recommended
SILCA T 300
(TC = 0,09 W/mK)

A = 25mm

Non-combustable finishing material

non-combustable
materials
structural building items
EXCLUDED e.g. load bearing walls

A = 0mm

TC = thermal conductivity

NC = non-combustable

First aid and technical support:

- support@metalfire.eu

- +32 9 261 51 90

scale 1:20

Rev.
A

www.metalfire.eu

EN 13229

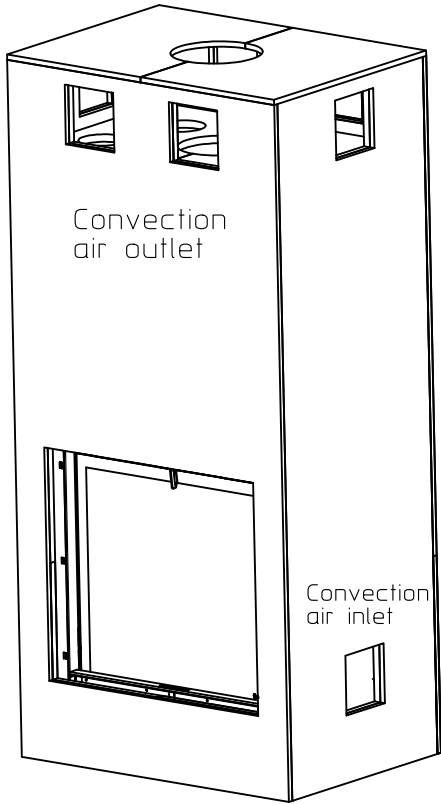
CE

General dimensional tolerances up to 6mm

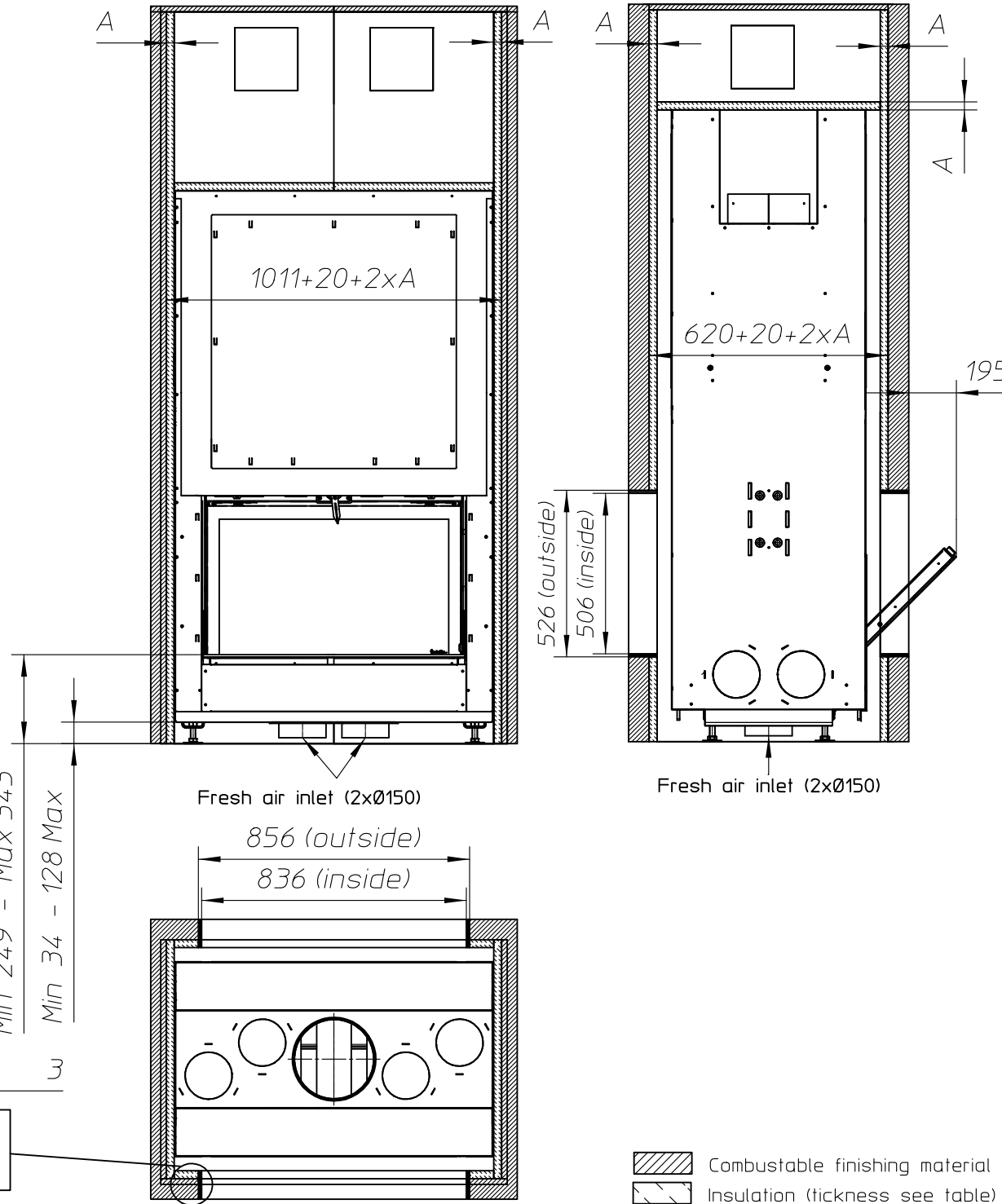
Metalfire preserves the right to modify specifications without previous notice

Sheet
2/3

With finishing frame 90/10



Scale 1:25



ULTIME D Patented

Metalfire

Technical Document

ULTIME D MF 800-50 WHE T

Prescribed insulation thickness (mm)

Combustable finishing material

Metalfire recommended
SILCA T 300
(TC = 0,09 W/mK)

A = 25mm

Non-combustable finishing material

non-combustable
materials
structural building items
EXCLUDED e.g. load bearing walls

A = 0mm

TC = thermal conductivity

NC = non-combustable

First aid and technical support:

- support@metalfire.eu

- +32 9 261 51 90

scale 1:20

Rev.
A

www.metalfire.eu

EN 13229

CE

General dimensional tolerances up to 6mm
Metalfire preserves the right to modify specifications without previous notice

Sheet
3/3